

(12) UK Patent Application (19) GB (11) 2 326 782 (13) A

(43) Date of A Publication 30.12.1998

(21) Application No 9813425.7

(22) Date of Filing 22.06.1998

(30) Priority Data

(31) 09166070 (32) 23.06.1997 (33) JP

(71) Applicant(s)

NEC Corporation
(Incorporated in Japan)
7-1, Shiba 5-chome, Minato-ku, Tokyo, Japan

(72) Inventor(s)

Masahiko Nakayama

(74) Agent and/or Address for Service

Mathys & Squire
100 Grays Inn Road, LONDON, WC1X 8AL,
United Kingdom

(51) INT CL⁶

H03G 3/20

(52) UK CL (Edition P)

H3G GA GSP GSX G10X G11P G11X

(56) Documents Cited

US 5257415 A

(58) Field of Search

UK CL (Edition P) H3G GA GPXX GSP GSX
INT CL⁶ H03G 3/20 3/30
ONLINE:WPI

(54) Abstract Title

Selection of amplifiers in a transmitter in dependence on the data to be transmitted or a pilot signal and a required power

(57) A transmission amplifier control circuit which is capable of preventing an adverse effect such as erroneous data transmission due to variations in phase which may occur when plural amplifiers are switched and capable of improving the transmission efficiency and power consumption. The transmission amplifier control circuit includes amplification means 51 to 5n; switching means 6 for selectively switching at least one of the plural amplification means 51 to 5n; detection means 2 for detecting a timing at which the plural amplification means 51 to 5n are switched, using the format of data to be transmitted during data transmission (or a pilot signal); and amplification means changeover control means 3 for controlling a timing for switching the plural amplification means 51 to 5n, using both a detection signal from the detection means 2 and an output power control signal which is externally input and controls the output power of the transmission amplifier control circuit. Each of the plural amplification means 51 to 5n can have a different maximum gain.

FIG.1

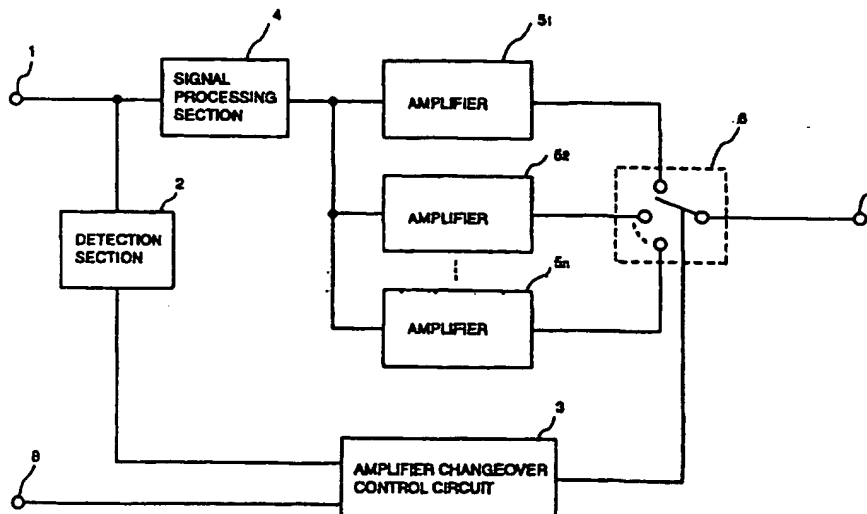


FIG.1

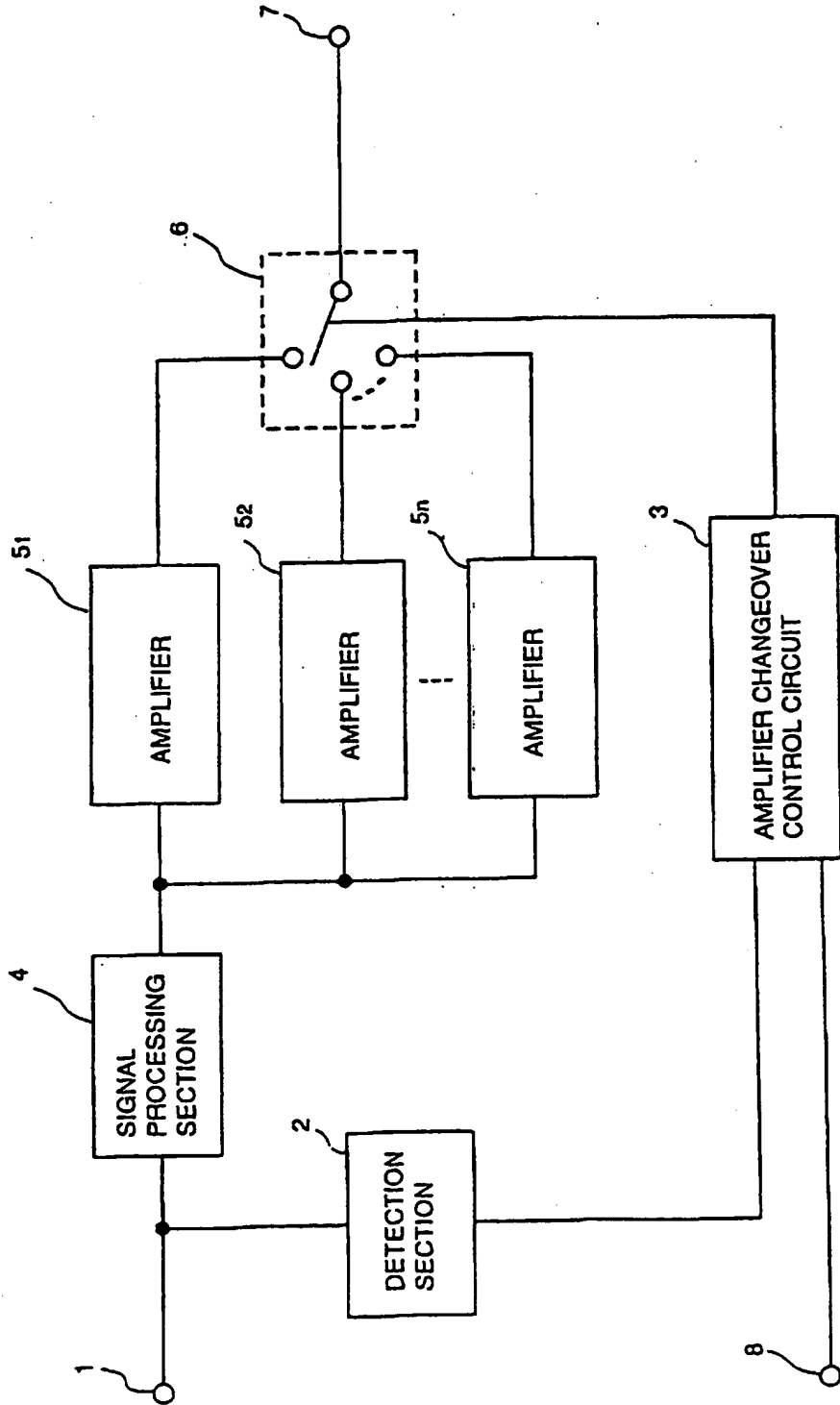


FIG.2

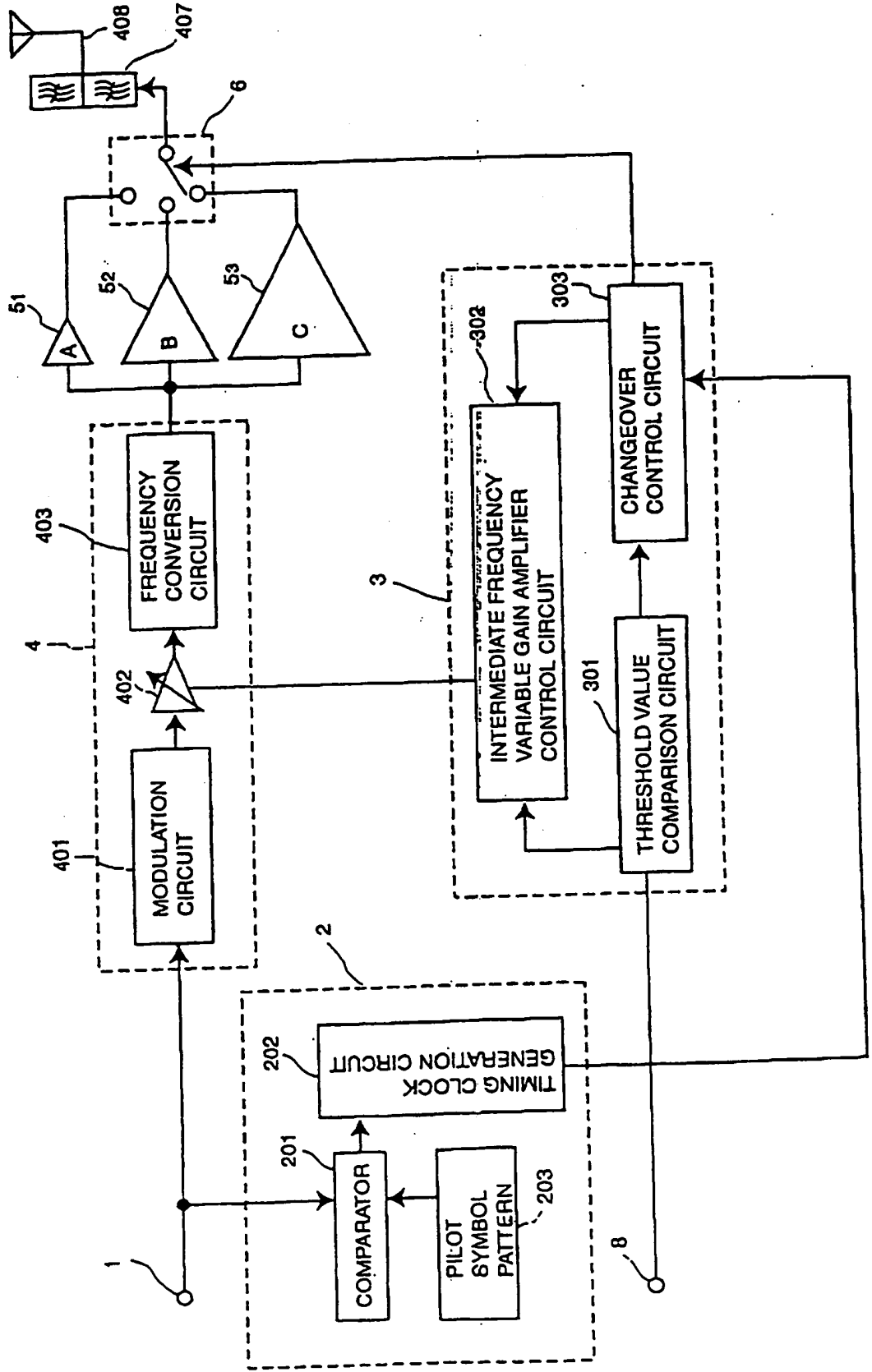


FIG.3

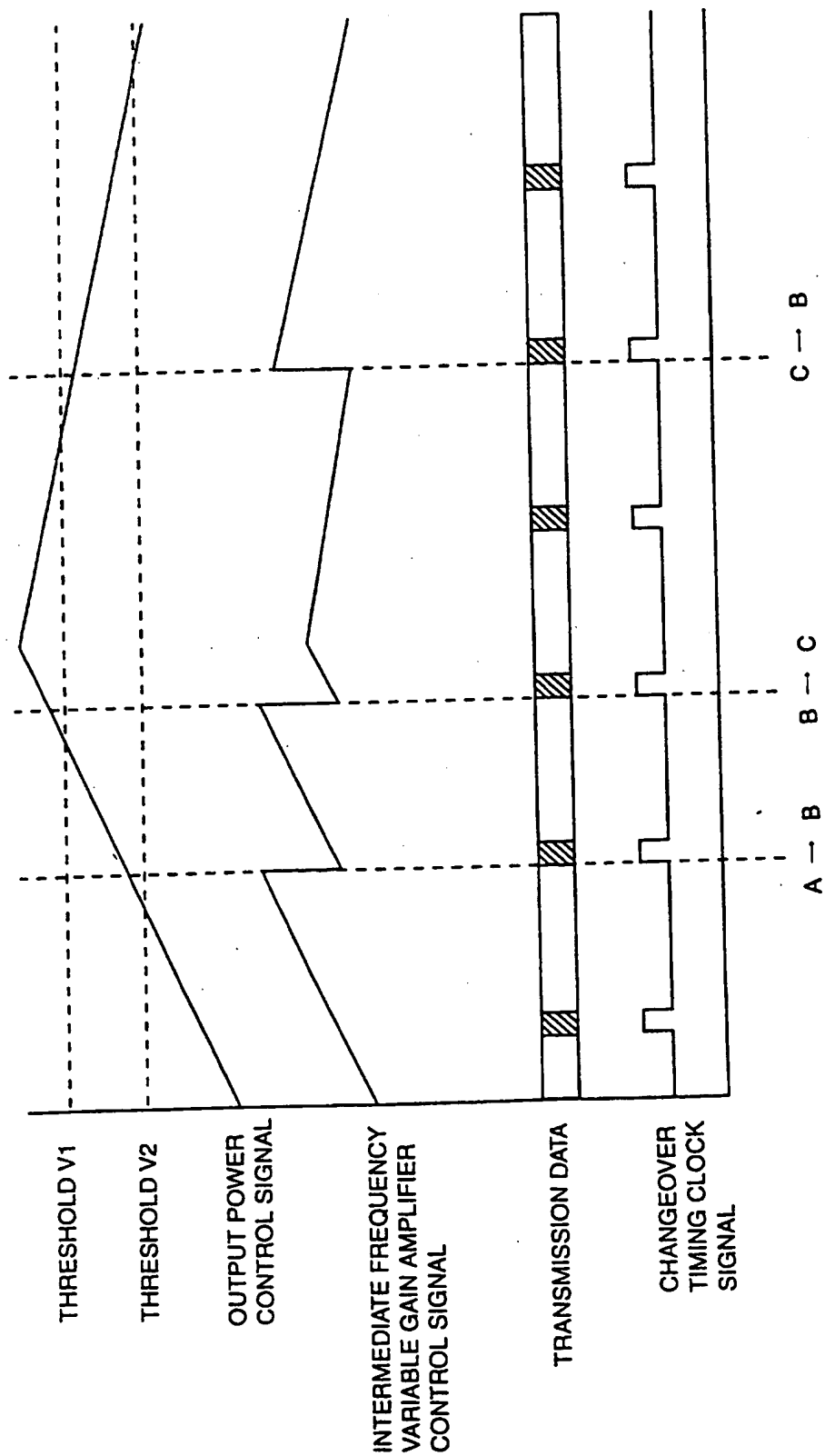


FIG.4

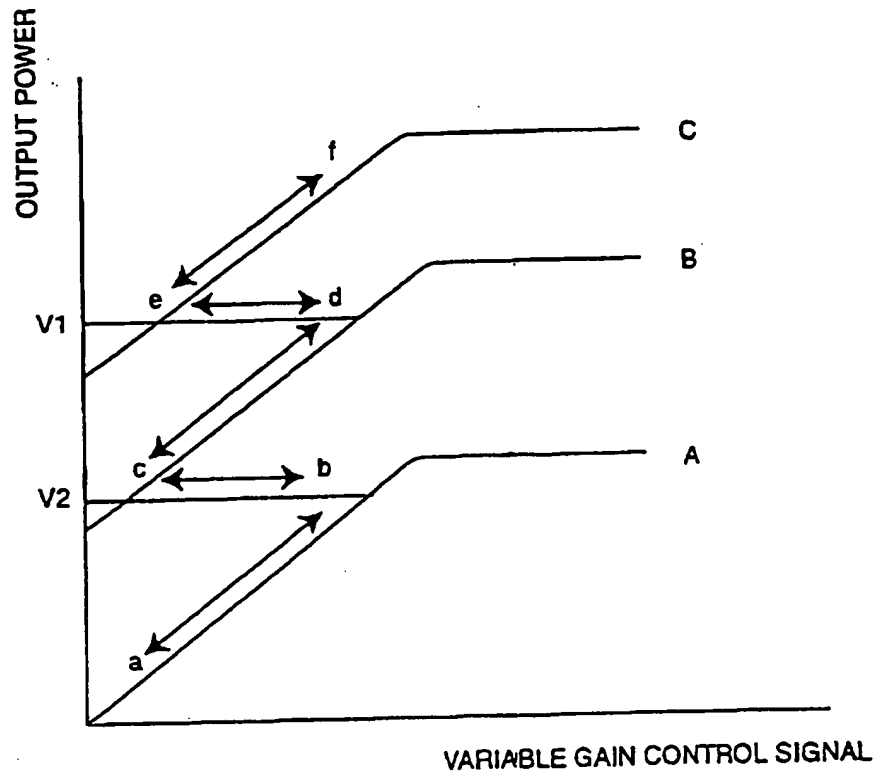


FIG.5

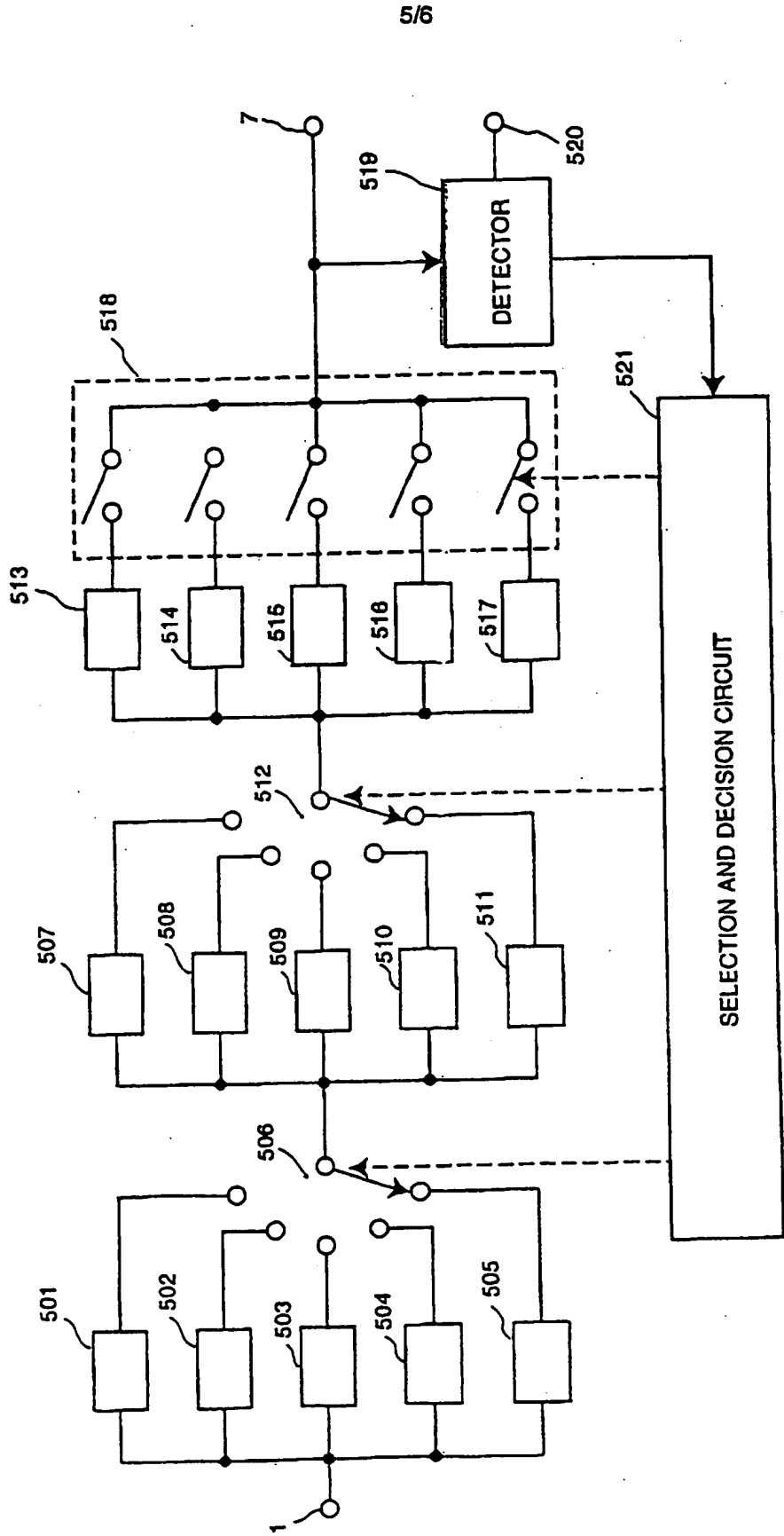
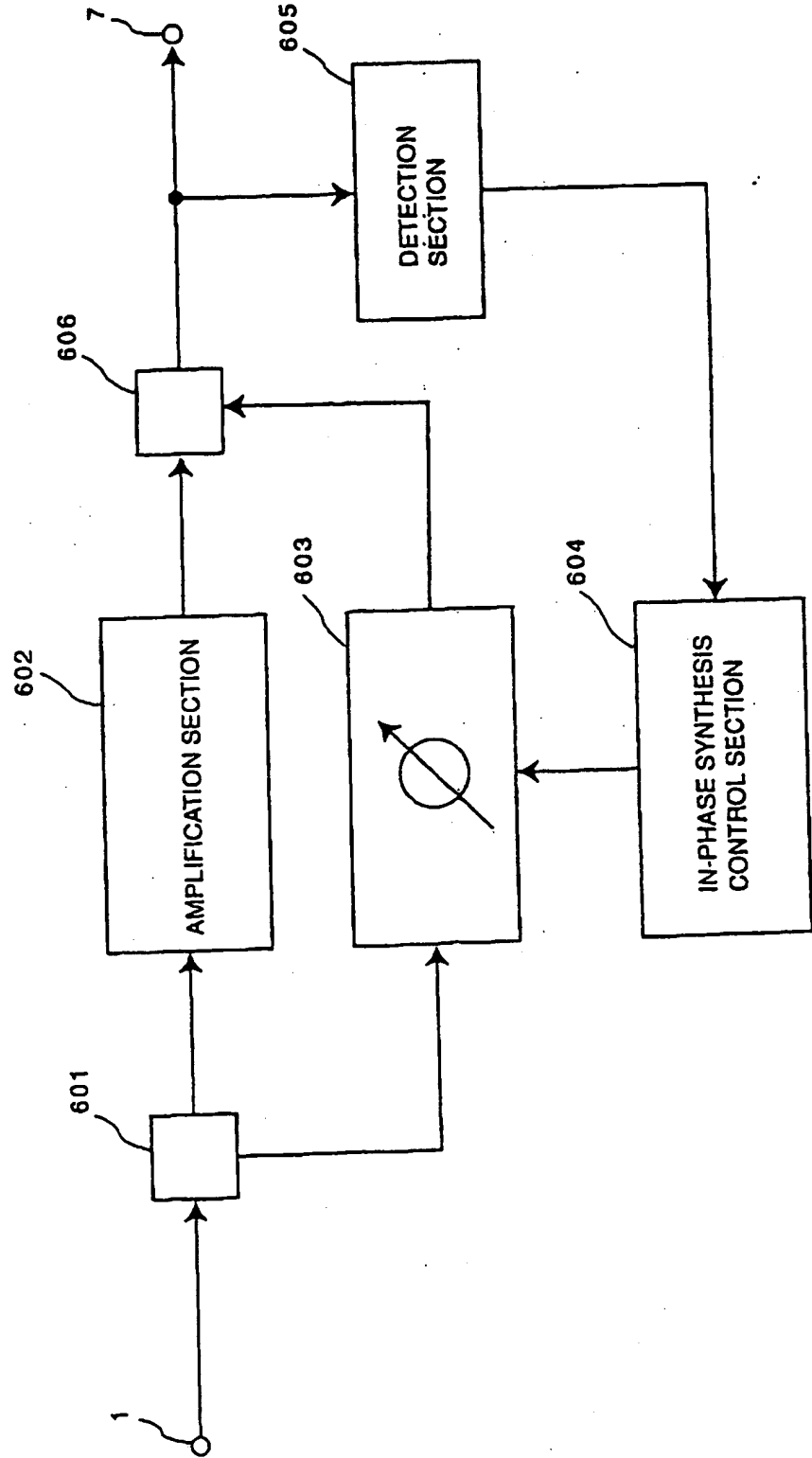


FIG. 6



CIRCUIT AND METHOD FOR CONTROLLING
TRANSMISSION AMPLIFIERS

5 The present invention relates to a transmission
amplifier control circuit for a mobile communication
transmitter and more particularly to a circuit for
controllably switching plural transmission power
amplifiers according to transmission power. The present
10 invention also relates to a method for controlling
transmission amplifiers.

 Recently, demands for mobile communication have caused a
shortage of the number of channels. The CDMA (Code
Division Multiple Access) system that provides a high
15 frequency use efficiency has been come to attention for
the mobile communication. The CDMA system requires an
accurate, wide-range transmission power output control.

 The spread spectrum system such as CDMA has the problem
of distance which occurs in a difference in distance
20 between a base station and each of terminals linked with
the base station by radio and a difference between radio
propagation paths. The base station, for example, receives
a weak signal from a remote terminal and a strong signal
from a nearby terminal. Hence, in the CDMA system in which
25 all users utilize the same frequency, the receive signal

from a remote terminal interferes with the strong signal from a nearby terminal. This is called the distance problem. To avoid this phenomenon, a good approach is that the base station equalizes receive power levels from
5 respective terminals linked by radio. This requires that as the terminal moves, its transmission power is dynamically and accurately controlled. Various countermeasures have been proposed to vary the transmission output power.

10 One of methods of that type for obtaining a variable gain is a method for selectively using plural amplifiers. Fig. 5 is a block diagram illustrating the configuration of a prior art multistage amplifier. This configuration is disclosed by Fig. 3 in JP-A-212013/1985 (hereinafter
15 referred to as Publication 1). The prior art method of selectively using plural amplifiers will be described below with reference to Fig. 5.

20 The multistage amplifier 5 shown in Fig. 5 consists of amplifiers 501 to 505, 507 to 511, and 513 to 517, selectors 506, 512, and 518, a detector 519, and a selection and decision circuit 521. In this configuration, the amplifiers 501 to 505 at the first stage each which
25 has a different gain receives an input signal via the input terminal 1. The outputs of the amplifiers 501 to 505 are connected to the selector 506. The selector 505

selects any one of the amplifiers 501 to 505 to the
amplifiers 507 to 511 at the next stage. In such an
operation, plural amplifier groups are connected in a
cascade mode. The outputs of the amplifiers 513 to 517 at
5 the final stage are connected to the selectors 518 acting
as a switch. The selection and decision circuit 521
decides an increase or decrease in gain according to a
comparison result between a detection output detected by
the detector 519 and a threshold input from the input
10 terminal 520 and then selects a specific amplifier in each
of the amplifier groups. This operation realizes the gain
control of the entire system.

Fig. 6 is a block diagram illustrating the principle of
a prior art power changeover amplifier which is disclosed
15 in Fig. 1 of JP-A-156431/1988 (hereinafter referred to as
publication 2). The power changeover amplifier of Fig. 6
aims at realizing the method of selecting an amplifier to
suppress power consumption at a transmission time or the
method of selecting an amplifier without adversely
20 affecting a signal to be transmitted at a power switching
time. The switching control method in a prior art power
changeover amplifier will be described below by referring
to Fig. 6.

The power changeover amplifier shown in Fig. 6 consists
25 of a front-stage switching section 601, an amplifier 602.

a variable phase shifter 603, an in-phase synthesis control section 604, a detection section 605, and a rear-stage switching section 606. In this arrangement, the bypass section (including the front-stage switching section 601, the variable phase shifter 603, and the rear-stage switching section 606) has the variable phase shifter 603 controlled by the in-phase synthesis control section 604 and is connected in parallel to the amplifier 602 to execute a power switching operation.

10 In this configuration, the front-stage amplifier 601 receives an input signal via the input terminal 1 at the time of a normal power outputting operation and then outputs an output signal to the output terminal 7 via the amplifier 602 and the rear-stage switching section 606. An
15 input signal is input via the input terminal 1 at the time of a low power outputting operation. The front-stage amplifier 601 leads the input signal to the bypass section. Then the bypass section outputs an output signal to the output terminal 7 via the rear-stage switching section 606.
20 At the transition from a normal power outputting time to a low power outputting time or from a low power outputting time to a normal power outputting time, the output power at the low power outputting time is temporarily mixed with the output power at the output of the normal power
25 outputting time at the output of the rear-stage switching

section 606. Any problem does not occur when the mixing is mutually performed in phase. However, a mutual phase shift actually is unavoidable at a power mixing time. To avoid such a problem, the detection section 604 detects a phase shift. The phase synthesis control section 604 controls the variable phase shifter 603 according to the detected phase shift to set the phase shift to zero. In this operation, the switching operation can be simultaneously performed from the normal power outputting time to the low power outputting time or from the low power outputting time to the normal power outputting time with no occurrence of a phase shift.

A first problem is that the power changeover amplifier has no timing control means for switching amplifier means because a phase shift (sometimes called phase rotation) occurs due to a momentary break of a transmission signal or selection of amplifier means when the amplifier means is changed during continuous signal transmission, so that the receiver cannot modulate the transmission signal and an error occurs in receive data. Particularly, in the transmitter and receiver employing the phase modulation according to the synchronous detection scheme, since information is allocated to a phase, an error occurs in receive data when the phase of the transmission data shifts with respect to the pilot signal being the

reference of the transmission data.

The second problem is that in the prior art combination of amplifiers connected in a multistage state shown in Fig. 5, the selection and decision circuit selects an amplifier using a signal detected by the detector that detects the output power from the multistage amplifier. That arrangement is effective to saturation of the output power. However, since the gain of the entire system is decided by a combination of fixed gain values, an increased number of amplification stages are required for a fine gain adjustment.

The third problem is that the prior art power changeover amplifier shown in Fig. 6 is not suitable to vary the gain over a wide range. This system is effective to handle signals serially chained because the amplifier can be selected under the in-phase synthesis control, with the phase continued. However, the switching operation must be made in two levels including a normal power outputting operation and a low power suppressing operation by bypassing.

Fig. 6 does not show the power changeover amplifier including a great number of amplifiers connected. The power changeover amplifier corresponds to deal with a specific fading. Hence, where amplifiers each which has a different gain are connected in a multistage mode to

execute a wide gain control, it is needed to control a
great number of amplifiers each to which a variable phase
5 shifter is added. Such an agreement has the problem of
resulting in a large circuit scale and complicated control
to each amplifier. Such a configuration is not suitable to
a mobile communication such as a portable digital mobile
communication terminal which must be configured in a
10 compact size.

An object of at least the preferred embodiment of the
present invention is to solve the above-mentioned tasks.

Another such object is to provide a transmission
amplifier control circuit capable of preventing an adverse
15 effect such as erroneous data transmission due to
variations in phase which may occur when a plurality of
amplifiers are switched.

Another such object is to provide a transmission
amplifier control circuit capable of improving the
20 transmission efficiently and suppressing extra power
consumption.

Another such object is to provide a method for
controlling transmission amplifiers.

In a first aspect, the present invention provides a
25 transmission amplifier control circuit comprising:

a plurality of amplification means;

means for determining when at least one of said
amplification means is to be selected from the format
of data to be transmitted;

30 selection means for selecting said at least one
of said amplification means; and

control means for controlling the selection of
said at least one of said amplification means from
both a signal output from said determining means and
an output power control signal for controlling the
35 output power of said transmission amplifier control
circuit.

In a preferred embodiment of this aspect of the present invention, a transmission amplifier control circuit comprises plural amplification means; switching means for
5 selectively switching at least one of the plural amplification means; detection means for detecting a timing at which the plural amplification means are switched, using the format of data to be transmitted during data transmission; and amplification means changeover control
10 means for controlling a timing for switching the plural amplification means, using both a detection signal from the detection means and an output power control signal which is externally input and controls the output power of the transmission amplifier control circuit.

15 Each of the plural amplification means may have a different maximum gain.

The transmission amplifier control circuit may further comprise a signal processing section connected to the plural amplification means, for controlling the data
20 according to a variable gain control from the amplification means changeover control means.

The signal processing section may comprise a modulation circuit for modulating the data to output a modulation signal; an intermediate frequency variable gain
25 amplifier for controlling the modulation signal according to the variable gain control signal; and a frequency conversion circuit for converting a signal output from the intermediate frequency variable gain amplifier into a signal of a desired frequency.

30 The data may contain a pilot symbol signal of which the phase is handled as a reference phase at a receiving time.

The detection means may comprise a comparator for comparing a pilot symbol pattern contained in data with a
35 pilot symbol pattern; a timing clock generation circuit for producing a changeover timing clock signal; and storage means for storing the pilot symbol pattern.

The pilot symbol signal may be periodically inserted in the data.

The amplification means changeover control means may comprise a threshold value of the output power control signal with an output power control signal value; an
5 intermediate frequency variable gain amplifier control circuit for generating a control signal to the intermediate frequency gain amplifier; and a changeover control circuit for controlling the switching means.

The threshold value of the output control signal may
10 be set to a value at which each of the amplification means is not saturated.

The threshold value may be stored in a ROM or RAM.

In a second aspect, the present invention provides a method of controlling amplification of transmission data by
15 a plurality of amplification means of a transmission amplifier control circuit, said method comprising the steps of:

determining when at least one of the amplification means is to be selected from the format of data to be
20 transmitted;

controlling the selection of said at least one of said amplification means from both the result of the determining step and an output power control signal for controlling the output power of the transmission amplifier control circuit;
25 and

selecting said at least one of said amplification means for amplifying said transmission data.

In a third aspect, the present invention provides a method of controlling transmission amplifiers, comprising
30 the steps of detecting a pilot symbol signal pattern contained in a format of transmission data; comparing the pilot symbol pattern with a pilot symbol pattern stored in a memory within a detection section and then outputting a comparison result to an amplifier changeover control
35 circuit; producing a changeover timing clock signal based on the comparison result so as not to adversely affect a phase shift in an amplifier switching operation; producing a control signal to a changeover switch and a variable gain control signal to a signal processing section, in

synchronism with the changeover timing clock signal; and
selecting an amplifier with a predetermined gain among the
transmission amplifiers by controlling the amplifier
changeover switch based on the control signal.

5 The pilot symbol signal detecting step may
comprise a step of
detecting a timing clock signal at which a pilot symbol
signal is combined with the transmission data in a
baseband signal processing step.

10 In the interpolation synchronous detection system, a
pilot symbol signal is generally inserted as reference
phase information into transmission data. The pilot symbol
signal is inserted in a data sequence at predetermined
intervals. The receiver demodulates data following the
pilot symbol signal by handling the phase of a pilot
15 symbol signal as a reference phase. That is, if the
amplification means is not switched between a rise time of
a pilot symbol signal and a rise time of the next pilot
symbol signal, transmission of error data due to a phase
shift can be prevented. Hence, the amplification means is
20 selected immediately before the pilot symbol signal is
transmitted, the system is not adversely affected due to
the phase shift, so that data can be certainly transmitted
without adversely affecting demodulation on the reception
side.

25 The transmission amplifier control circuit

may detect the timing immediately before a pilot symbol
signal is transmitted such that an error does not occur
5 in data demodulation at the receiving time even when
amplification means is selected during data transmission,
and then selectively controls a connection combination of
plural amplification means using a detected changeover
timing clock signal and information regarding an output
10 power control signal. Thus it is possible to avoid an
adverse effect due to the operation of selecting plural
amplifier means during data transmission, so that the
transmission efficiency can be improved. Moreover, since
the amplification means can be selectively switched,
15 unnecessary amplification means are separated off so that
wasteful power consumption can be prevented.

Preferred features of the present invention will now
be described, by way of example only, with reference to the
20 accompanying drawings, in which:

Fig. 1 is a block diagram illustrating the
configuration of a transmission amplifier control circuit;

25 Fig. 2 is a block diagram illustrating in more detail
the configuration of the transmission amplifier control
circuit;

Fig. 3 is a diagram illustrating operational waveforms
in the transmission amplifier control circuit;

Fig. 4 is a graph illustrating the relationships between
5 variable gain control signal and output power of the
amplifier shown in Fig. 2;

Fig. 5 is a block diagram illustrating the configuration
of a conventional multistage amplifier; and

Fig. 6 is a block diagram illustrating the principle of
10 a conventional power changeover amplifier.

Fig. 1 is a block diagram illustrating a transmission
amplifier control circuit.

15 Fig. 1 shows plural amplifiers
connected in parallel.

Referring to Fig. 1, the transmission amplifier control
circuit consists of n amplifiers 51 to 5n each which has a
different gain, a detection section 2 which generates a
20 switching timing clock signal, an amplifier changeover
control circuit 3 which selects an amplifier with a given
gain among amplifiers 51 to 5n, a signal processing
section 4, and an amplifier changeover switch 6 which
selects a specific one among the amplifiers 51 to 5n and
25 then outputs it to an output signal.

Transmission data is input to the detection section 2 and the signal processing section 4 via the input terminal 1. The signal processing section 4 includes a processing device for executing normal transmission, a filter, an
5 intermediate variable amplifier, a frequency conversion circuit, and a pre-stage driver for the amplifiers 51 to 5n. The signal processing section 4 outputs a signal to the amplifiers 51 to 5n. The detection section 2 detects a pilot symbol signal of transmission data and then outputs
10 a changeover timing clock signal which controls the timing to select a specific one of the amplifiers 51 to 5n. The amplifier changeover control circuit 3 controllably selects the amplifiers 51 to 5n using an output power
15 control signal from an input terminal 8 and the changeover timing clock signal. The amplifier changeover switch 6 connects one selected by the changeover control circuit 3 among the amplifiers 51 to 5n to the output terminal 7.

A pilot symbol signal is periodically inserted to
20 transmission data input from the input terminal 1. The phase of the pilot symbol signal becomes a reference phase upon receiving. Hence when an amplifier is selected while transmission data follows the pilot symbol signal, the
25 reception side may erroneously demodulate the transmission data. To avoid such a problem, it is better to selectively

switch the amplifiers 51 to 5n immediately before the pilot symbol signal is transmitted.

The detection section 2 detects a pilot symbol signal based on the transmission data and then generates a
5 changeover timing clock signal. The amplifier changeover control circuit 3 selects a suitable amplifier among the amplifiers 51 to 5n based on the changeover timing clock signal and information regarding up/down operation of transmission power output contained in the output power
10 control signal. A specific amplifier is selected in synchronism with the changeover timing clock signal to control the transmission power output.

As described above, transmission power can be effectively controlled by selecting an amplifier with a
15 desired gain. The phase shift due to the amplifier selecting operation as well as data defect due to simultaneous break operation can be avoided.

Fig. 2 is a block diagram illustrating one embodiment of a
20 configuration of a transmission amplifier control circuit.

Fig.

2 shows in detail the configuration of the transmission amplifier control circuit shown in Fig. 1 which includes three amplifiers.

Referring to Fig. 2, the transmission amplifier control circuit consists of a detection section 2, an amplifier changeover control section 3, a signal processing section 4, three amplifiers 51 to 53, and an amplifier changeover switch 6. The same numerals as those in Fig. 1 represent the same constituent elements. The detail configuration of each section will be described below.

The detection section 2 includes a comparator 201, a timing clock generating circuit 202, and a pilot symbol pattern 203. The comparator 202 compares transmission data input via the input terminal 1 with the pilot symbol pattern 203 and then inputs the comparison result to the timing clock generation circuit 202. The timing clock generation circuit 202 outputs a changeover timing clock signal.

The amplifier changeover control circuit 3 consists of a threshold value comparison circuit 301 that compares the threshold value of an output power control signal with an output power control signal value input via the input terminal 8, an intermediate frequency variable gain amplifier control circuit 302 that generates control signals to the intermediate frequency gain amplifier 402 (to be described later), and a changeover control circuit 303 that controls the amplifier changeover switch 6. The threshold value comparison circuit 301 compares the

threshold of an output power control signal input via the
input terminal 1 with the threshold value of an output
power control signal. The threshold value is set to a
value at which each amplifier is not saturated, and is
5 stored into, for example, a RAM or ROM. In Fig. 2, the RAM
or ROM is provided in the threshold comparison circuit 301
but may be externally connected to the threshold value
comparison circuit 301. The threshold value comparison
circuit 301 outputs the comparison signal to the
10 intermediate frequency variable gain amplifier control
circuit 302 and the changeover control circuit 303. The
intermediate frequency variable gain amplifier control
circuit 302 receives the comparison signal output from the
threshold comparison circuit 301 and the output from the
15 changeover control circuit 303 and then outputs the output
acting as a variable gain control signal to the
intermediate frequency variable gain amplifier 402. The
changeover control circuit 303 receives the comparison
signal from the threshold value comparison circuit 301 and
20 the changeover timing clock signal output from the timing
clock generation circuit 202 and then outputs the output
to the intermediate frequency variable gain amplifier
control circuit 302 and the amplifier changeover switch 6.

The signal processing section 4 consists of a
25 modulation circuit 401, an intermediate frequency variable

Fig.

4 is a diagram illustrating the relationships between variable gain control signal and output power shown in Fig.

3.

5 The transmission data input from the input terminal 1 previously contains pilot symbol signals periodically inserted. Hence, the detection section 2 detects a pilot symbol signal pattern included in the data format of the transmission data and then compares it with the pilot
10 symbol pattern 203 stored in, for example, a ROM or RAM therein and then detects the comparison result. Based on the result, the detection section 2 produces to the amplifier changeover control circuit 3 a changeover timing clock signal by which the phase shift is not affected in
15 the amplifier changeover operation.

 Here the case will be described where the transmission amplifier control circuit has such a circuit configuration that increases the entire output power thereof as the voltage value of the output power control signal input to
20 the input terminal 8 rises, and the amplifier 51 with a gain A is first selected. When the threshold value comparison section 301 detects an output power control signal value exceeding the threshold value V2, it controls the amplifier changeover switch 6 to change from the amplifier
25 51 with a gain A to the amplifier 52 with a gain B in

synchronism with the rising edge of the changeover timing clock signal. Moreover, when the threshold value comparison section 301 detects an output power control signal value exceeding the threshold value V1, it controls the amplifier changeover switch 6 to change from the amplifier 52 with a gain B to the amplifier 53 with a gain C in synchronism with the rising edge of the changeover timing clock signal. Similarly, when the threshold value comparison section 301 detects an output power control signal value less than the threshold value V1, it controls the amplifier changeover switch 6 to change from the amplifier 53 with a gain C to the amplifier 52 with a gain B in synchronism with the rising edge of the changeover timing clock signal. When the threshold value comparison section 301 detects an output power control signal value less than the threshold value V2 (not shown in Fig. 3), it controls the amplifier changeover switch 6 to change from the amplifier 52 with a gain B to the amplifier 51 with a gain A in synchronism with the rising edge of the changeover timing clock signal

When the intermediate frequency variable gain amplifier 402 receives an output power control signal input to the input terminal 8 without any change while an amplifier with a different gain is selected during the control of the output power, the output power output from the output

terminal 7 changes instantly stepwise. In order to avoid such a phenomenon, the intermediate frequency variable gain amplifier control circuit 302 increases or decreases by an increment or decrement of the output power in agreement with the timing at which a amplifier with a different gain is selected and then inputs the result to the intermediate frequency variable gain amplifier 402.

As shown in Fig. 4, the output power value A of the amplifier 51 changes to variable gain control signal values; the output power value B of the amplifier 52 changes to variable gain control signal values; and the output power value C of the amplifier 53 changes to variable gain control signal values. The output power value due to the amplifier changeover operation changes according to a→b→c→d→e→f→e→d→c→b→a, as shown in Fig. 4. Actually, the output power value does not simply change as shown in Fig. 4 because of the effect of the hysteresis loop. This phenomenon is not the feature of the present invention. Hence, for an easy understanding, the explanation will be made here on condition that there is no effect of the hysteresis loop. The amplifier 51 with the gain A is switched to the amplifier 52 with the gain B at the threshold value V2 (between b and c). The amplifier 52 with the gain B is switched to the amplifier 53 with the gain C at the threshold value V1 (between d and e).

The detection section 2

detects a pilot symbol signal pattern according to the transmission data format. However, the same effect can be obtained by detecting the timing clock at which a pilot symbol signal is combined with transmission data at the stage of processing a baseband signal. The entire power consumption of the transmission amplifier control circuit can be reduced by controlling the power supply voltage for amplifiers not used with the amplifier changeover timing.

The first effect is that when plural amplifiers connected in parallel is selectively used, an adverse effect such as a phase shift which occurs at the amplifier switching timing can be avoided. The reason is that when the detection section detects a pilot symbol signal contained in transmission data, the changeover timing clock signal for an amplifier switching operation is created, so that an amplifier is selected at the timing at which the phase shift is not affected.

The second effect is that transmission output power can be dynamically controlled. The reason is that plural amplifiers can be connected in a multistage arrangement by combining amplifiers with various gains. Moreover, the output power can be accurately controlled by disposing a variable phase shifter at the rear stage.

The third effect is that the power consumption can be reduced. The reason is that an amplifier with a small gain is selected to reduce the transmission power consumption, so that the power consumption can be reduced corresponding to the reduced gain by selecting another amplifier with the changeover switch.

As described above, the above arrangement can prevent an adverse effect such as data erroneous transmission due to a phase shift which occurs when plural amplifiers are switched. Moreover, the above arrangement can suppress extra power consumption through the amplifier switching control.

The entire disclosure of Japanese Patent Application No. 9-166070 filed on June 23, 1997 including specification, claims, drawing and summary are incorporated herein by reference in its entirety.

Each feature disclosed in this specification (which term includes the claims) and/or shown in the drawings may be incorporated in the invention independently of other disclosed and/or illustrated features.

Statements in this specification of the "objects of the invention" relate to preferred embodiments of the invention, but not necessarily to all embodiments of the invention falling within the claims.

The text of the abstract filed herewith is repeated below as part of the specification.

A transmission amplifier control circuit which is capable of preventing an adverse effect such as erroneous data transmission due to variations in phase which may occur when plural amplifiers are switched and capable of improving the transmission efficiency and suppressing extra power consumption. The transmission amplifier control circuit includes amplification means 5_1 to 5_n ; switching means 6 for selectively switching at least one of the plural amplification means 5_1 to 5_n ; detection means 2 for detecting a timing at which the plural amplification means 5_1 to 5_n are switched, using the format of data to be transmitted during data transmission; and amplification means changeover control means 3 for controlling a timing for switching the plural amplification means 5_1 to 5_n , using both a detection signal from the detection means 2 and an output power control signal which is externally input and controls the output power of the transmission amplifier control circuit. Each of the plural amplification means 5_1 to 5_n can have a different maximum gain.

CLAIMS:

1. A transmission amplifier control circuit comprising:
a plurality of amplification means;
5 means for determining when at least one of said amplification means is to be selected from the format of data to be transmitted;
selection means for selecting said at least one of said amplification means; and
10 control means for controlling the selection of said at least one of said amplification means from both a signal output from said determining means and an output power control signal for controlling the output power of said transmission amplifier control
15 circuit.

2. A transmission amplifier control circuit according to Claim 1, wherein said amplification means have different
20 respective maximum gains.

3. A transmission amplifier control circuit according to Claim 1 or 2, further comprising signal processing means connected to said amplification means for controlling said
25 data according to a variable gain control signal from said control means.

4. A transmission amplifier control circuit according to Claim 3, wherein said signal processing means comprises:
a modulation circuit for modulating said data to
30 output a modulation signal;
an intermediate frequency variable gain amplifier for controlling said modulation signal according to said variable gain control signal; and
a frequency conversion circuit for converting a signal
35 output from said intermediate frequency variable gain amplifier into a signal of a desired frequency.

5. A transmission amplifier control circuit according to any preceding claim, wherein said data contains a pilot symbol signal, the phase of which is taken as a reference phase at a receiving time.

6. A transmission amplifier control circuit according to any preceding claim, wherein said determining means comprises a comparator for comparing a pilot symbol pattern contained in data with a stored pilot symbol pattern; a timing clock generation circuit for producing a changeover timing clock signal; and storage means for storing said stored pilot symbol pattern.

15

7. A transmission amplifier control circuit according to Claim 6, wherein said pilot symbol signal is periodically present in said data.

8. A transmission amplifier control circuit according to any preceding claim, wherein said control means comprises:
a threshold value comparison circuit for comparing a stored threshold value of said output power control signal with value of said output power control signal;
control circuit for outputting a control signal to said signal processing means and
a changeover control circuit for controlling said selection means.

9. A transmission amplifier control circuit according to Claim 8, wherein said threshold value of said output control signal is to be set to a value at which each of said amplification means is not saturated.

10. A transmission amplifier control circuit according to Claim 9, comprising a ROM or RAM for storing said threshold value.

11. A method of controlling amplification of transmission
5 data by a plurality of amplification means of a
transmission amplifier control circuit, said method
comprising the steps of:

determining when at least one of the amplification
means is to be selected from the format of data to be
10 transmitted;

controlling the selection of said at least one of said
amplification means from both the result of the determining
step and an output power control signal for controlling the
output power of the transmission amplifier control circuit;
15 and

selecting said at least one of said amplification
means for amplifying said transmission data.

12. A method of controlling transmission amplifiers,
20 comprising the steps of:

detecting a pilot symbol signal pattern contained in
transmission data;

comparing said pilot symbol pattern with a pilot
symbol pattern stored in a memory of a detection section
25 and outputting a comparison result to amplifier changeover
control circuit;

producing a changeover timing clock signal based on
said comparison result so as not to adversely affect a
phase shift in an amplifier switching operation;

30 producing a control signal to a changeover switch and
a variable gain control signal to a signal processing
section, in synchronism with said changeover timing clock
signal; and

selecting an amplifier with a predetermined gain among
35 said transmission amplifiers by controlling said amplifier
changeover switch based on said control signal.

13. A method according to Claim 12, wherein said pilot
5 symbol signal detecting step comprises a step of detecting
a timing clock signal at which a pilot symbol signal is
combined with said transmission data in a baseband signal
processing step.

10 14. A transmission amplifier control circuit substantially
as herein described with reference to Figure 1 or Figure 2
of the accompanying drawings.

15 15. A method of controlling amplification of transmission
data or a method of controlling transmission amplifiers
substantially as herein described with reference to Figures
1 to 4 of the accompanying drawings.



Application No: GB 9813425.7
Claims searched: 1-15

Examiner: D. Midgley
Date of search: 19 August 1998

Patents Act 1977
Search Report under Section 17

Databases searched:

UK Patent Office collections, including GB, EP, WO & US patent specifications, in:
UK CI (Ed.P): H3G GA,GPXX,GSX,GSP
Int CI (Ed.6): H03G 3/20,3/30
Other: ONLINE:WPI

Documents considered to be relevant:

Category	Identity of document and relevant passage	Relevant to claims
A	US 5257415 (FUJITSU)	1,11,12

X	Document indicating lack of novelty or inventive step	A	Document indicating technological background and/or state of the art.
Y	Document indicating lack of inventive step if combined with one or more other documents of same category.	P	Document published on or after the declared priority date but before the filing date of this invention.
&	Member of the same patent family	E	Patent document published on or after, but with priority date earlier than, the filing date of this application.